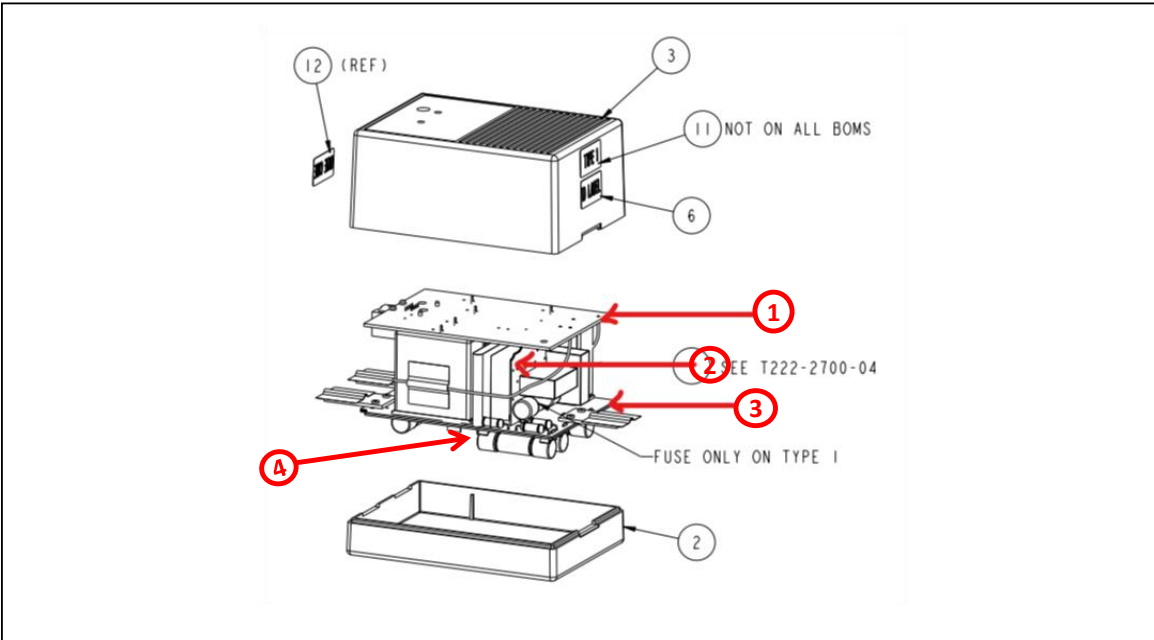


Product End of Life Instructions

SPD T2 MA MODULE 160KA 480V DELTA



End of Life Instructions



| Recommendation | Number on drawing | Component / Material | Weight (in g) | Comment |
|------------------|-------------------|---|---------------|---|
| To be depolluted | ①, ②, ③ | Electronic Board (Power) > 10cm ² | 324.25 | there are 3 PCBAs and the area of PCBA are ① 69.41cm ² , ② 22.01cm ² and ③ 80.04cm ² |
| To be depolluted | ④ | Electrolyte capacitors which size: height > 25 mm, diameter > 25 mm or proportionately similar volume | 4.5 | these two Electrolyte capacitors was soldered to PCBA |

Product description

| | |
|-----------------------------------|---|
| Manufacturer identification | Schneider Electric Industries SAS |
| Brand name | Schneider Electric |
| Product function | Modular Surge Protective Device (SPD) Replacement. 3 phases, 160 kA per phase. 480 V delta AC |
| Product reference | MA5IMA16 |
| Total representative product mass | 472 g |
| Representative product dimensions | 158.8mm x 82.8mm x 68.3mm |
| Accessories | Replacement part |
| Date of information release | 04/2020 |



Additional information

Legal information

The product family must be disposed according to the legislation of the country. This document is intended for use by end of life recyclers or treatment facilities. It provides the basic information to assure an appropriate end of life treatment for the components and materials of the product.

In case of special transportation: transportation method

No special transportation

Recyclability potential

39%

Based on "ECO'DEEE recyclability and recoverability calculation method" (version V1, 20 Sep. 2008 presented to the French Agency for Environment and Energy Management: ADEME).

Schneider Electric Industries SAS

Country Customer Care Center
<http://www.schneider-electric.com/contact>

35, rue Joseph Monier

CS 30323

F- 92506 Rueil Malmaison Cedex

RCS Nanterre 954 503 439
 Capital social 896 313 776 €

www.schneider-electric.com

ENVEOLI2002011_V1

Published by Schneider Electric

© 2017 - Schneider Electric – All rights reserved

04/2020